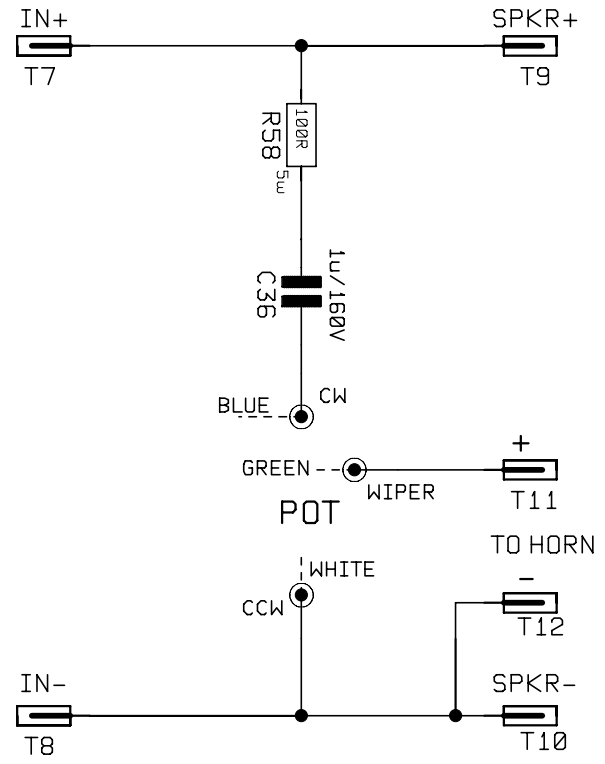


DWG.No. 7111-66-02



ALL OTHER HOLES =				X = (THROUGH PLATED)			
A	E	J	N	B	F	K	P
C	G	L	Q	D	H	M	R

MATERIAL THICKNESS		DIMENSIONS IN	
DRAWN T.FOY	DATE 23/06/94	TOLERANCE (UNLESS OTHERWISE STATED)	
CHECKED	DATE	MODEL	
APPROVED	DATE	72115, 724-10 (BASS)	



TITLE CCT DIAGRAM (HORN)	
DWG.No 7111-66-02	ISS 1

1	MANUFACTURE RELEASE	18/08/94
ISS	ECO NUMBER	DATE