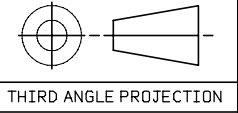
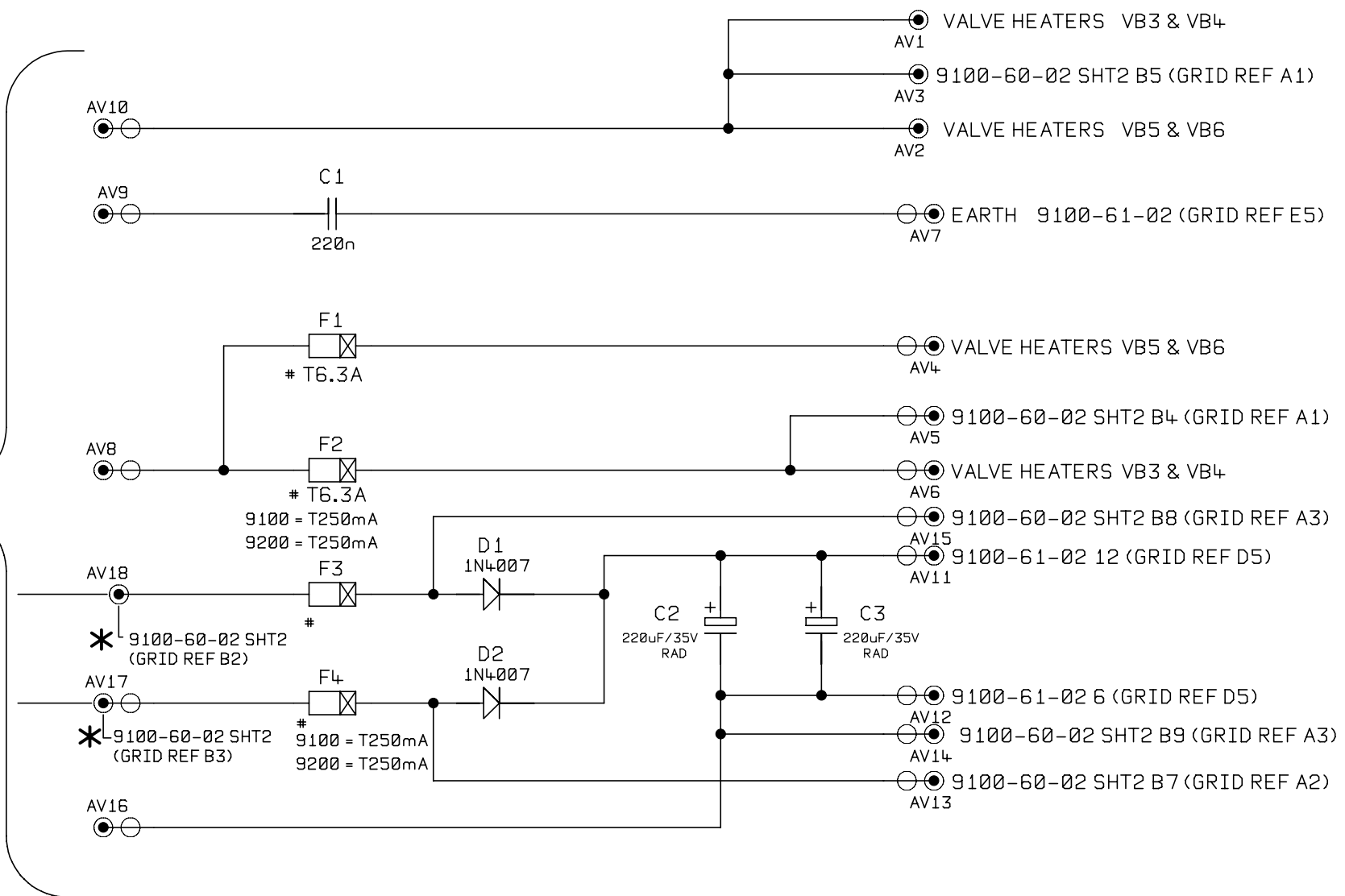


DWG.No. 9100-64-02



MAINS TRANSFORMER

FOR 9100 UNITS OMIT F1



* SEMKO ONLY

7	Ø725	27-10-94	A	H
5	Ø606	19-4-94	B	J
4	Ø502	16-12-93	C	K
3	Ø467	12-11-93	D	L
ISS	ECO NUMBER	DATE	E	M
			F	N
			G	P

UNSPECIFIED HOLE DATA	
A	H
B	J
C	K
D	L
E	M
F	N
G	P

MATERIAL	
MATERIAL THICKNESS	
INTERNAL BEND RADIUS	
EXTERNAL B/A	
BEND DIE	
DRAWN	A.G.
DATE	8-6-93
CHECKED	DATE
APPROVED	DATE

DIMENSIONS IN	
TOLERANCE (UNLESS OTHERWISE STATED)	
DIMENSIONAL	
CENTRES	
ANGULAR	
MODEL	9100/9200

<small>COPYRIGHT EXISTS ON THIS DOCUMENT. IT MUST NOT BE USED FOR ANY PURPOSE THAN THAT FOR WHICH IT IS SUPPLIED AND MUST NOT BE COPIED (IN WHOLE OR IN PART) WITHOUT WRITTEN PERMISSION FROM MARSHALL AMPLIFICATION PLC.</small>	
<small>DENBIGH ROAD, BLETCHLEY, MILTON KEYNES, MK1 10Q. TEL: (0508)375411 FAX: (0508)375118</small>	

TITLE	CCT DIAG FUSE PCB'S
DWG.No	9100-64-02
ISSUE	7

ISS	ECO NUMBER	DATE	A	H
-----	------------	------	---	---