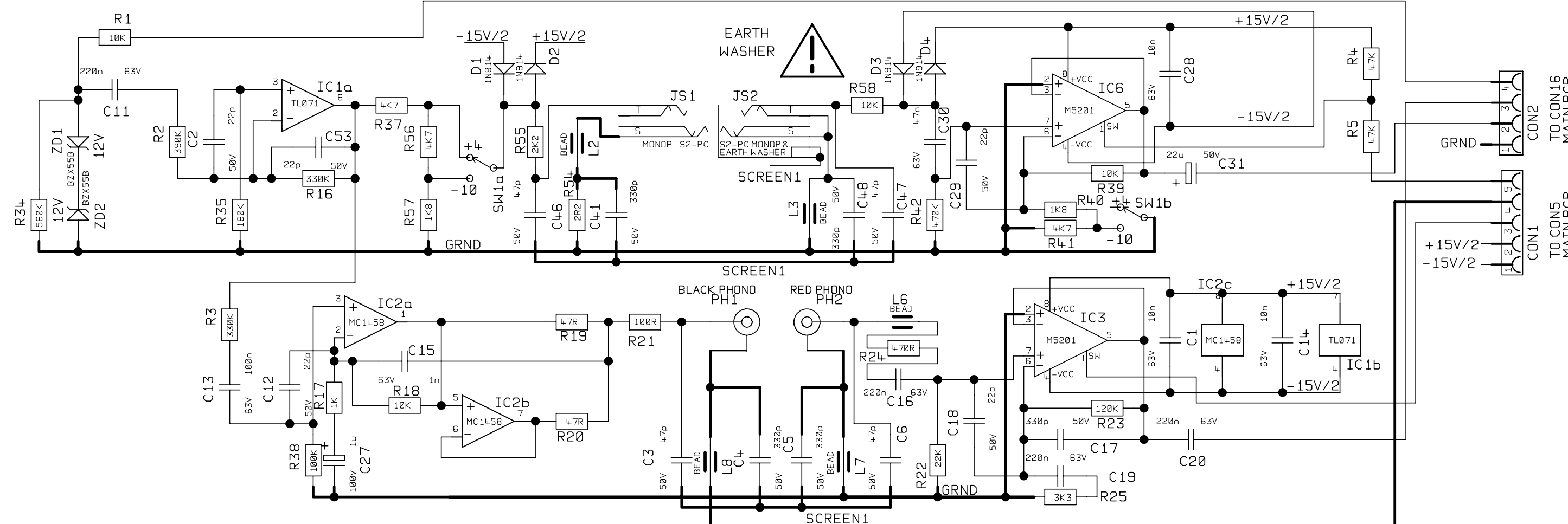
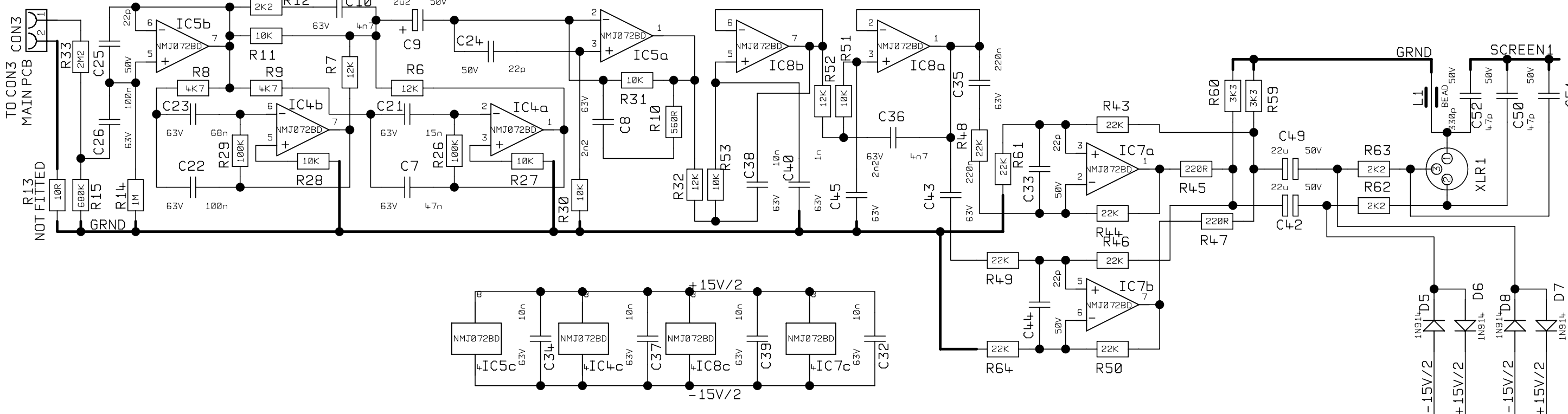


ignorelayers 7

DWG.No. TL60-61-02.DGM



3	PRE-PROD#3	3/3/99	ALL OTHER HOLES =				X = (THROUGH PLATED)			
2	PRE-PROD#2	4/1/99	A	E	J	N				
1	PRE-PROD	25/10/98	B	F	K	P				
D	PRTOTYPE D	3/9/98	C	G	L	Q				
ISS	ECO NUMBER	DATE	D	H	M	R				

MATERIAL	DIMENSIONS IN	
MATERIAL THICKNESS	TOLERANCE (UNLESS OTHERWISE STATED)	
DRAWN SG	DATE 5/5/98	
CHECKED	DATE	
APPROVED	DATE	
TSL60 RANGE		



TITLE	TSL60/601/602 SERIES REAR/JACK PCB
DWG.No	TL60-61-02.DGM
ISS	3