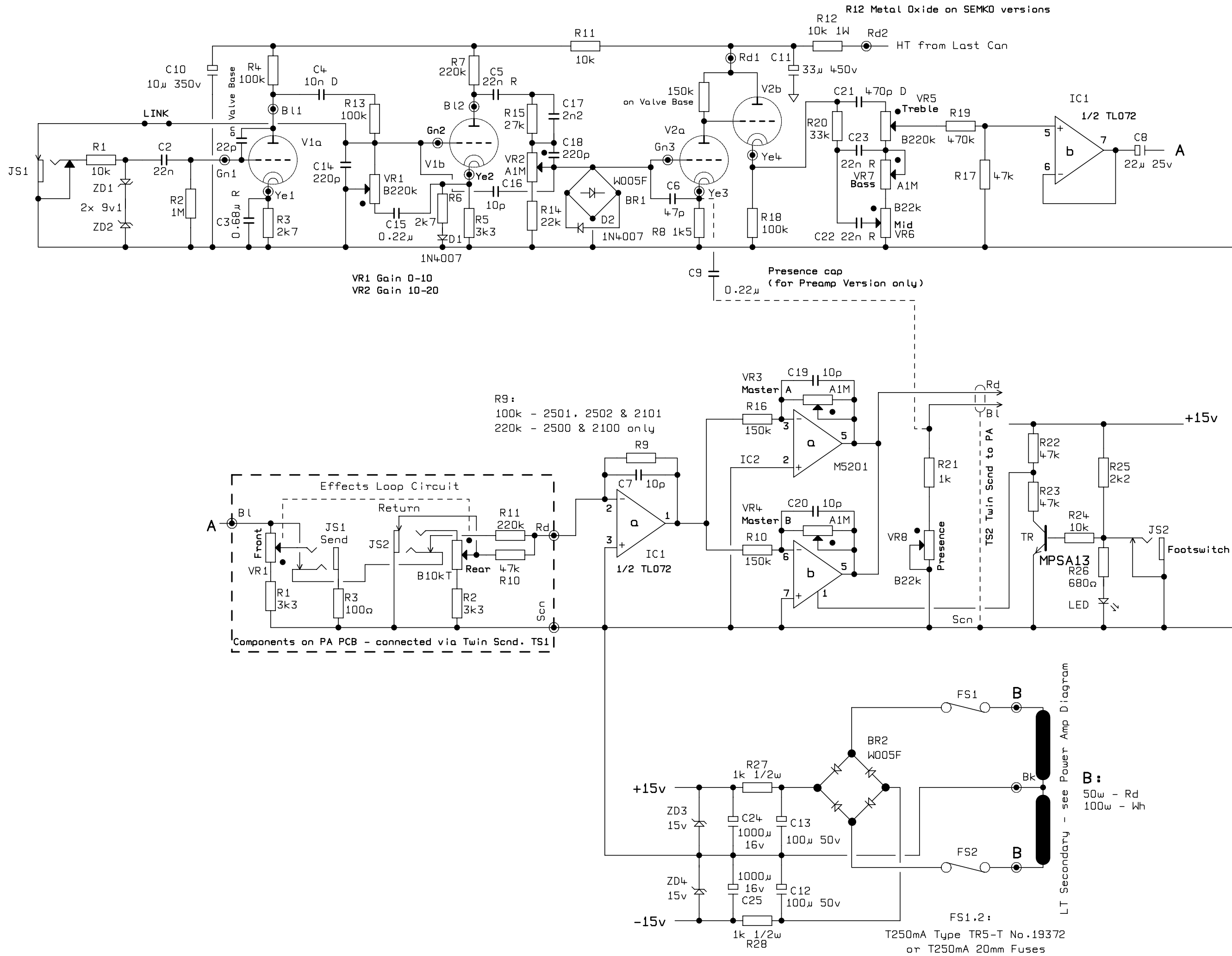


Models: 2500, 2501, 2502, 2100 & 2101



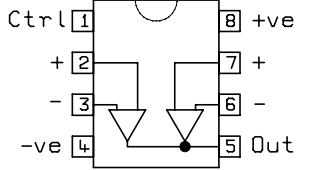
VR1 Gain 0-10
 VR2 Gain 10-20

R9:
 100k - 2501, 2502 & 2101
 220k - 2500 & 2100 only

B:
 50w - Rd
 100w - Wh

FS1.2:
 T250mA Type TR5-T No.19372
 or T250mA 20mm Fuses

NOTES:

- All resistors 1/4w unless stated.
- PCB: JMP51B ONWARDS
- Power supply and power amp diagram: CD0112 50w
 CD0192 100w
- All non-elect. caps are 50v axial unless marked:
 D: Ceramic disk
 R: MKT Radial
- All zeners 500mw.
- C1,5,7,24 not fitted. C11 only fitted on rack preamp versions.
- V1.2: ECC83.
- M5201 switching IC pins:

- on pots indicates clockwise.

9	18-9-90	SKB
8	2-7-90	CPV
7	29-1-90	CPV
Iss. Date		Drn.

Dwg. Number: CD0109
JCM900 Series
 MASTER VOLUME Preamp
 Circuit Diagram
 ALL COUNTRIES

Marshall
 Jim Marshall
 (Products) Ltd.
 BLETCHLEY
 MILTON KEYNES
 ENGLAND
 File: CD0109.DGM

