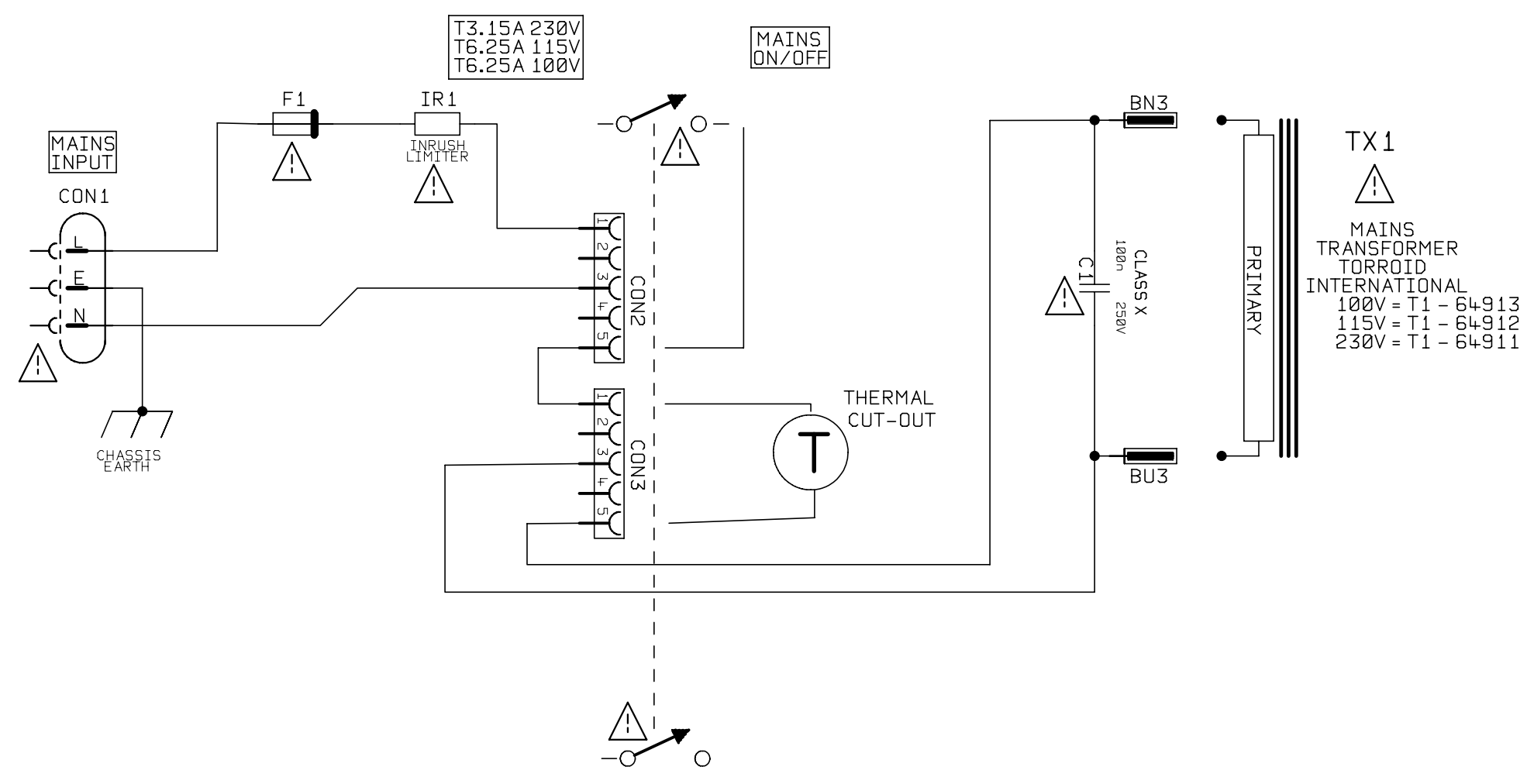



DWG.No. V120-60-02



MAINS SWITCH
PART NO H8550VB
ABJCL076

- NOTES**
- SAFETY CRITICAL COMPONENTS MUST BE REPLACED WITH THE SAME TYPE AND RATING ONLY.
 - INRUSH LIMITER (IR1):-
TYPE SG170 FOR 230V MODELS
TYPE SG160 FOR 100V AND 115V MODELS

ISS		ECO NUMBER	DATE	ALL OTHER HOLES =				X = (THROUGH PLATED)				MATERIAL	DIMENSIONS IN		 © MARSHALL AMPLIFICATION PLC DENBIGH ROAD, BLETCHLEY, MILTON KEYNES, MK1 1DQ. TEL (01908) 375411 FAX (01908) 376118	TITLE	ISS				
A	B	C	D	E	F	G	H	J	K	L	M	N	P	Q		R	MATERIAL THICKNESS	TOLERANCE (UNLESS OTHERWISE STATED)	MAINS BOARD	V120-60-02	2
												DRAWN	DATE	MODEL							
												B.KEIR	18.11.96	120/120							